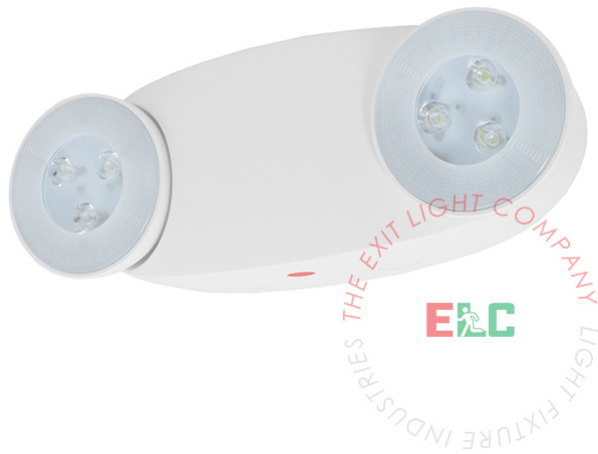




HIGH OUTPUT BRIGHT LED EMERGENCY LIGHT | ROUND LED LAMPS

Code: EL-M2-HO



Compatible Battery: B6V4A

FEATURES

- UL 924, NEC, OSHA and NFPA 101 Life Safety Code
- Damp location listed
- Lumen: 650lm
- 120/277 VAC operation
- Two fully adjustable, glare-free LED lighting heads
- Push-to-test switch and status indicator
- Injection-molded, high impact, UV-stabilized, UL 94 VO thermoplastic housing
- Lightweight with snap-together construction for easy installation
- Universal mounting plate with quick-connect feature

WARRANTY INFORMATION

Any component that fails due to manufacturer's defect is guaranteed for 1 year. The warranty only covers products installed and maintained in accordance with the instructions provided by their respective manufacturer and no warranty is made with respect to any of our products that are otherwise installed or maintained. For full warranty details, visit our Warranty Section.

Conformance to Codes and Standards

The EL-M2-HO series is UL listed and meets or exceeds the following: UL 924, NEC, OSHA and NFPA 101 Life Safety Code requirements.

ORDERING INFORMATION

Series	Housing Color	Operation Type
EL-M2-HO	W (White)	BB (Battery Backup)

CONSTRUCTION

The EL-M2-HO series is constructed from injection molded, impact- and scratch-resistant and corrosion-proof UL 94 V-0 flame retardant thermoplastic housing. White housing is standard.

ILLUMINATION

The EL-M2-HO emergency light features two 3 piece super bright LEDs providing 650 lumen. Lamp heads are on track-and-swivel guides. Glare-free lenses provide clear light source to ensure performance in emergency situations.

ELECTRICAL COMPONENTS

Dual voltage input 120/277 VAC operation. LED display indicates AC/ON. An external push button test switch allows maintenance personnel to quickly determine the operational status of the unit. Unit offers surge protected, solid state circuitry.

EMERGENCY OPERATION

Upon failure of the normal utility power, an internal solidstate transfer switch automatically provides uninterrupted emergency operation for at least 90 minutes. The fully automatic solid-state, two-rate charger initiates battery charging to recharge a discharged battery in 24 hours.

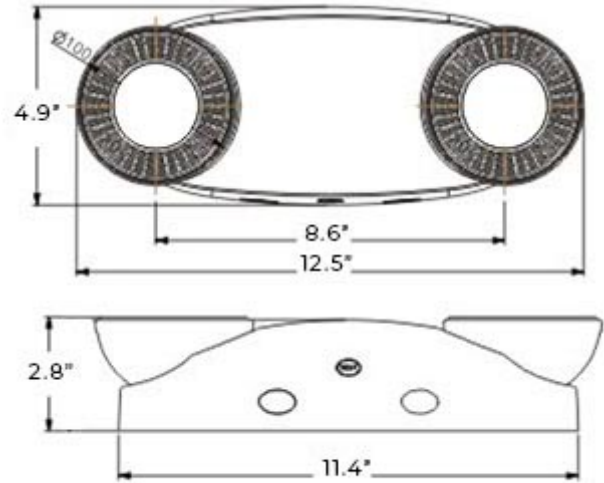
BATTERY - BATTERY BACKUP

The EL-M2-HO Emergency Light series is designed with a maintenance-free 6V 4.5mAh sealed lead acid battery that provides a minimum emergency duration of 90 minutes. Recharge time of the battery is 24 hours. Operational temperature range is 32°F (0°) to 104°F (40°).

INSTALLATION

The EL-M2-HO is suitable for wall or ceiling installation via included mounting plate. Snap together design allows for quick and easy installation.

DIMENSIONS



High Output Series

Weight : 3.00 lb