

RECESSED LED EMERGENCY UNIT

Code: EL-R2HLED



The EL-R2HLED is an energy efficient Emergency Light with two 6V 5.4 watts lamps. Includes maintenance-free backup battery, works on either 120 or 227 VAC. Complete kit as shown.



FEATURES

- NFPA 101 Life Safety Code, OSHA, and ETL Listed requirements
- Listed for Dry Location
- Includes two 1 watt LED lamps
- Complete kit as shown
- Includes hanging T-Bar kit
- Push-to-test switch
- Universal transformer for 120 or 277 VAC operation
- Maintenance-free sealed battery
- Charge rate / power on LED indicator light

WARRANTY INFORMATION

Any component that fails due to manufacturer's defect is guaranteed for 1 year. The warranty only covers products installed and maintained in accordance with the instructions provided by their respective manufacturer and no warranty is made with respect to any of our products that are otherwise installed or maintained. For full warranty details, visit our Warranty Section.

Conformance to Codes and Standards

The EL-R2HLED series is UL listed and meets or exceeds the following: NFPA 101 Life Safety Code, OSHA, and ETL Listed requirements.

ORDERING INFORMATION

Series	Housing Color	Voltage	Operation Type
EL-R2HLED	White	120V/277	BB (Battery Backup)

CONSTRUCTION

The EL-R2HLED is constructed from durable 20-gauge steel trim plate in white or black finish. Trim securely attached to housing with spring clips. UL Listed for dry locations. (25°C)

ILLUMINATION

The EL-R2HLED series features two fully adjustable 1.0W white LED lamp heads. High performance chrome-plated metal reflectors and plastic lens for optimal light distribution.

ELECTRICAL COMPONENTS

Dual 120/277 voltage. Charge rate/power "ON" LED indicator light and push-to-test switch for mandated code compliance testing. LVD (low voltage disconnect) prevents battery from deep discharge. Remote capacity of 10W standard.

EMERGENCY OPERATION

Upon failure of the normal utility power, an internal solidstate transfer switch automatically provides uninterrupted emergency operation for at least 90 minutes. The fully automatic solid-state, two-rate charger initiates battery charging to recharge a discharged battery in 24 hours.

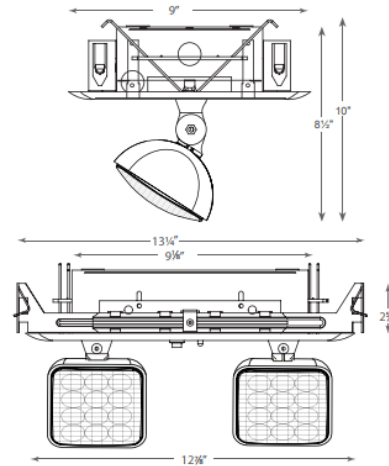
BATTERY - BATTERY BACKUP

6V maintenance-free, rechargeable sealed lead acid battery. Internal solid-state transfer switch automatically connects the internal battery to lamp heads for minimum 90-minute emergency illumination. Fully automatic solid-state, two rate charger initiates battery charging to recharge a discharged battery in 24 hours.

INSTALLATION

Bar hangers on the back box for recessed mount. Compatible with drop ceiling mount installations. Bar hangers included.

DIMENSIONS



Width	9"
Height	10"
Length	13.25"
Weight	8.00 lb

3170 Scott St, Vista, CA 92081
Phone: 877-352-3948 | Fax: 877-352-3949
info@exitlightco.com