



LED RECESSED EMERGENCY LIGHT | CEILING MOUNT | ADJUSTABLE LAMPS

Code: EL-RPLED



The EL-RPLED series combines traditional emergency lighting and energy efficiency LED performance for a maintenancefree, dependable design.



Compatible Battery: 4.8V 2000mAh Ni-MH

ORDERING INFORMATION

| Series | Housing Color | Operation Type |
|----------|---------------|---------------------|
| EL-RPLED | W (White) | BB (Battery Backup) |
| | B (Black) | ST (Self Testing) |

FEATURES

- UL 924, NEC, OSHA and NFPA 101 Life Safety Code
- Listed for damp location
- Adjustable ultra bright LED lamp heads
- LED indicator light with push-to-test switch
- Lightweight, injection molded, 5VA flame retardant thermoplastic housing
- Universal 120-277 VAC operation
- Universal mounting plate
- Short circuit, voltage surge, brown out and low battery voltage disconnect protected

WARRANTY INFORMATION

Any component that fails due to manufacturer's defect is guaranteed for 1 year. The warranty only covers products installed and maintained in accordance with the instructions provided by their respective manufacturer and no warranty is made with respect to any of our products that are otherwise installed or maintained. For full warranty details, visit our Warranty Section.

Conformance to Codes and Standards

The EL-RPLED series is UL listed and meets or exceeds the following: UL 924, NEC, OSHA and NFPA 101 Life Safety Code requirements.

CONSTRUCTION

The EL-RPLED Recessed Emergency Light is constructed from injection-molded, engineer-grade, 5VA flame retardant thermoplastic. White housing is standard, also available in black housing. 2 trim plates are included to convert the light to an oval or rectangle shape.

ILLUMINATION

The EL-RPLED Recessed Emergency Light use long-lasting, efficient ultra bright white LEDs. Fully adjustable 1.0W LED lamp heads Features unique all inclusive lamp, reflector, and lens assembly.

ELECTRICAL COMPONENTS

Universal voltage input 120-277 VAC operation. LED display indicates AC/ON. An external push button test switch allows maintenance personnel to quickly determine the operational status of the unit.

EMERGENCY OPERATION

Upon failure of the normal utility power, an internal solidstate transfer switch automatically provides uninterrupted emergency operation for at least 90 minutes. The fully automatic solid-state, two-rate charger initiates battery charging to recharge a discharged battery in 24 hours.

BATTERY - BATTERY BACKUP

The EL-RPLED Recessed Emergency Light is designed with a maintenance-free 4.8V 2000mAh Ni-MH battery that provides a minimum emergency duration of 90 minutes. Recharge time of the battery is 24 hours. Operational temperature range is 50°F to 122°F.

PHOTOMETRICS

Standard mounting height of 10ft illuminates 1 footcandle (FC) **spaced at 50ft for a 3ft path of egress.**

Standard mounting height of 12ft illuminates 1 footcandle (FC) **spaced at 50ft for a 3ft path of egress.**

Standard mounting height of 15ft illuminates 1 footcandle (FC) **spaced at 40ft for a 3ft path of egress.**

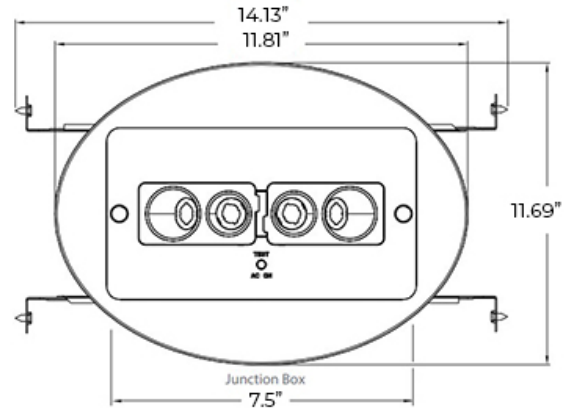
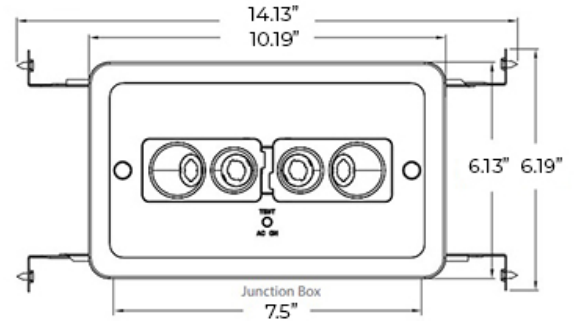
SELF-TESTING OPTION

Continuously monitors the AC power, battery supply voltage, emergency lamp and charging circuit. The multi-color LED indicator light will indicate failure and adjust when it has been corrected. Unit will automatically perform NFPA required monthly and annual testing. Refer to user manual for details.

INSTALLATION

The EL-RPLED is suitable with drywall or drop ceiling mount installations.

DIMENSIONS



Weight : 6.00 lb

