



The recessed edge lit ELR series combines precise engineering and low-profile design for architectural excellence.



Compatible Battery: BAA-48R

ORDERING INFORMATION

Series	Housing Color	Sides	Operation Type	Options
ELR	A (Aluminum)	SC (Single Sided Clear Panel)	BB (Battery Backup)	USA (Assembled in the USA)*
	W (White)	SM (Single Sided Mirrored Panel)	AC (No Battery)	
	B (Black)	SW (Single Sided White Panel)	D1 (120V Dual Circuit)	
		DM (Double Sided Mirrored Panel)	D2 (277V Dual Circuit)	

*USA: Substantial transformation assembly in the U.S. complies with "Assembled in the USA" under the Buy American Act.

FEATURES

- UL 924, NEC, OSHA and NFPA 101 Life Safety Code
- Listed for damp location
- Recessed Mounting Only
- Aluminum housing with high grade acrylic face
- Field Installable Arrows for Left, Right or Both directions.
- Long life LED illumination
- Test switch and charge rate indicator on battery backup models
- Dual 120/277 volt operation

WARRANTY INFORMATION

Any component that fails due to manufacturer's defect is guaranteed for 1 year. The warranty only covers products installed and maintained in accordance with the instructions provided by their respective manufacturer and no warranty is made with respect to any of our products that are otherwise installed or maintained. For full warranty details, visit our Warranty Section.

Conformance to Codes and Standards

The ELR series is UL listed and meets or exceeds the following: UL 924, NEC, OSHA and NFPA 101 Life Safety Code requirements.

CONSTRUCTION

The ELR Edge Lit Exit Sign series housing is constructed from premium-grade, extruded aluminum. Easily access the battery and internals with detachable trim piece. Standard housing color is aluminum with other choices available.

ILLUMINATION

The ELR Edge Lit Exit Sign series has ultra bright, emergency efficient, and long lasting LEDs. The UV stabilized ultra clear acrylic edge-lit panel provides consistent and uniform illumination.

ELECTRICAL COMPONENTS

Dual voltage input 120/277 VAC operation. LED display indicates AC/ON. An external push button test switch allows maintenance personnel to quickly determine the operational status of the unit. Unit offers brown out, overload and short circuit protection.

EMERGENCY OPERATION

Upon failure of the normal utility power, an internal solid-state transfer switch automatically provides uninterrupted emergency operation for at least 90 minutes. The fully automatic solid-state, two-rate charger initiates battery charging to recharge a discharged battery in 24 hours.

BATTERY - BATTERY BACKUP

The ELR Edge Lit Exit Sign series is designed with a 4.8V maintenance-free NiCad battery. The battery is protected by a low voltage cut-off circuit.

SELF-TESTING

This unit continuously self checks for proper operation. The multi-color LED indicator light will indicate the status after testing and adjust when corrected. The unit will self test in emergency mode for up to the full 90 minute duration to ensure proper operation during an actual power failure.

OPERATIONAL TEMPERATURE

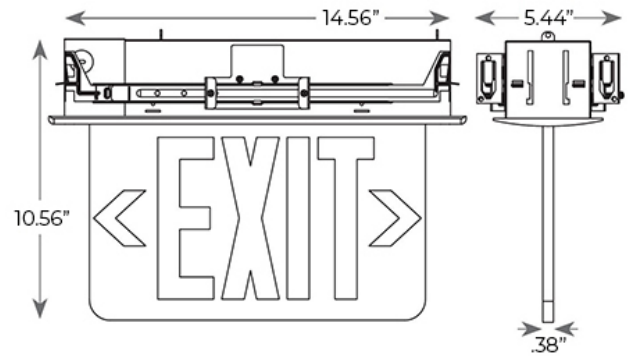
Temperature Ratings

Standard Option 32°F to 122°F

INSTALLATION

The ELR Edge Lit Exit Sign series is suitable for ceiling recessed mounting and compatible with drywall or drop-ceiling mount installations. Includes field installable directional arrow indicators. All hardware is included.

DIMENSIONN



Weight : 10.00 lb